

LOADING ARM ENGINEERING INPUT SHEET

Safe Hands

1	CLIENT		QUANTITY:	
2	PROJECT		AREA CLASSIFICATION:	
3	CONTACT PERSON			
4	CONTACT NO			
5	E-MAIL ADDRESS			
6	ADDRESS			
6	RFQ/ORDER. NO			
8	REFERENCE DOC / SPECIFICATIONS			

LOADING ARM DATA

1	LOADING ARM REQUIRED FOR	ISO CONTAINER	<input type="checkbox"/>	ROAD TANKER	<input type="checkbox"/>	RAIL WAGON	<input type="checkbox"/>	DRUM	<input type="checkbox"/>
2	TYPE OF OPERATION	TOP LOADING	<input type="checkbox"/>	TOP UNLOADING	<input type="checkbox"/>	BOTTOM LOADING	<input type="checkbox"/>	BOTTOM UNLOADING	<input type="checkbox"/>
3	NPS SIZE OF LOADING ARM								
4	MATERIAL OF CONSTRUCTION								
5	SEAL MATERIAL								

PROCESS PARAMETERS

1	PRODUCT / SERVICE NAME		
2	DESIGN TEMPERATURE	°C	
3	OPERATING TEMPERATURE	°C	
4	DESIGN PRESSURE	kg/cm ² (g)	
5	OPERATING PRESSURE	kg/cm ² (g)	
6	TEST PRESSURE (HYDROTEST)	kg/cm ² (g)	
7	ALLOWABLE PRESSURE DROP	kg/cm ² (g)	
8	CORROSION ALLOWANCE	mm	
9	DENSITY	kg/m ³	
10	FLOW RATE (Normal / Design)	m ³ /hr	
11	VISCOSITY	cp	

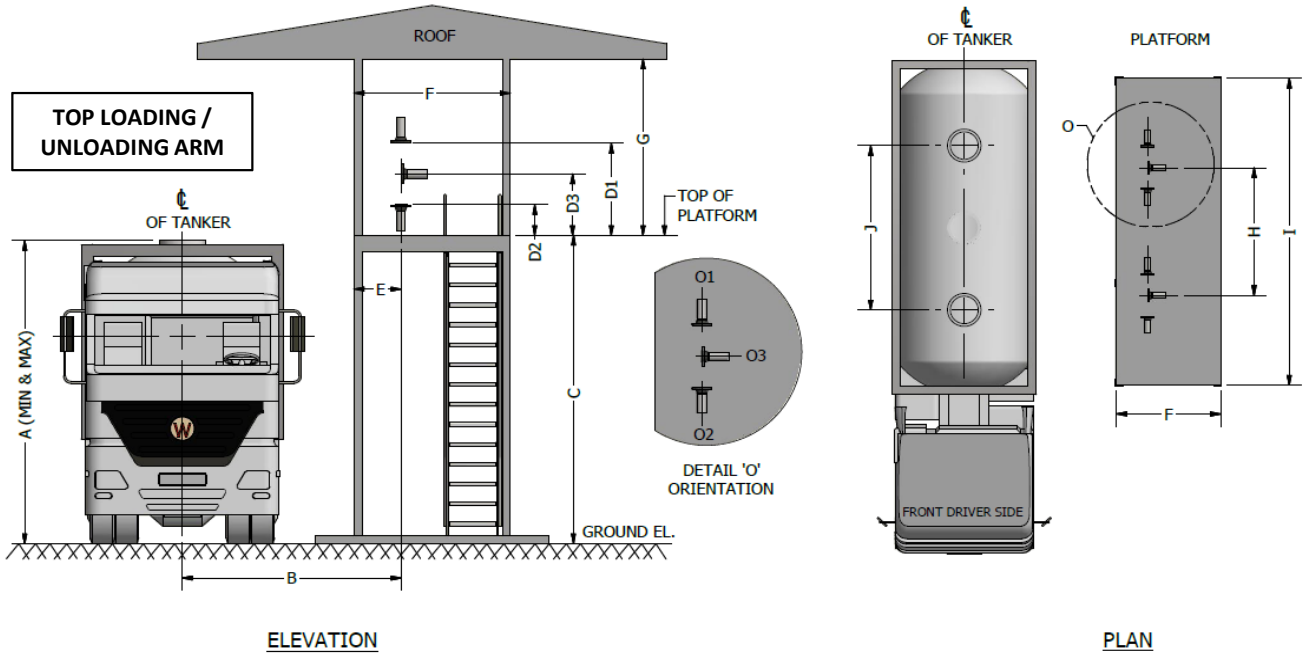
ACCESSORIES REQUIRED

1	VAPOUR RETURN LINE	YES	<input type="checkbox"/>	NO	<input type="checkbox"/>	2	HEAT TRACING	YES	<input type="checkbox"/>	NO	<input type="checkbox"/>
3	JACKETING	YES	<input type="checkbox"/>	NO	<input type="checkbox"/>	IF YES, SPECIFY NPS SIZE _____					
4	BALANCING SYSTEM										
	COMPRESSION SPRING	<input type="checkbox"/>	PNEUMATIC	<input type="checkbox"/>	HYDRAULIC	<input type="checkbox"/>	GAS STRUT	<input type="checkbox"/>	COUNTER WEIGHT	<input type="checkbox"/>	
5	INSULATION	YES	<input type="checkbox"/>	NO	<input type="checkbox"/>	10	EMERGENCY RELEASE COUPLING	YES	<input type="checkbox"/>	NO	<input type="checkbox"/>
6	HIGH-LEVEL SENSOR	YES	<input type="checkbox"/>	NO	<input type="checkbox"/>	11	DRAIN / VENT VALVE	YES	<input type="checkbox"/>	NO	<input type="checkbox"/>
7	GROUNDING UNIT	YES	<input type="checkbox"/>	NO	<input type="checkbox"/>	12	SPECIALITY VALVES	YES	<input type="checkbox"/>	NO	<input type="checkbox"/>
8	DRY DISCONNECT COUPLING	YES	<input type="checkbox"/>	NO	<input type="checkbox"/>	13	INLET FLANGE NPS SIZE	_____	CLASS	_____	
9a	FILLING SENSOR	YES	<input type="checkbox"/>	FILLING SWITCH	YES	<input type="checkbox"/>					
9b	PARKING SENSOR	YES	<input type="checkbox"/>	PARKING SWITCH	YES	<input type="checkbox"/>					

Special Requirements or Notes:

INSPECTION & TESTING REQUIREMENTS

1	RADIOGRAPHY	10%	<input type="checkbox"/>	100%	<input type="checkbox"/>
2	PENETRANT TEST				
3	PAINTING SPECIFICATIONS				
4	PMI				
5	REMARKS OR SPECIAL COMMENTS				



DIMENSIONS FOR PLATFORM

- 1 HEIGHT OF TANKER ABOVE GROUND (A) (Min) _____ mm & (Max) _____ mm
- 2 CENTERLINE DISTANCE BETWEEN TANKER & INLET (B) _____ mm
- 3 PLATFORM ELEVATION (C) _____ mm
- 4 INLET ELEVATION (D) (TICK WHICHEVER IS APPLICABLE)
 D1 (TOP FEED) _____ mm D2 (BOTTOM FEED) _____ mm D3 (SIDE FEED) _____ mm
 IF, SIDE FEED IS APPLICABLE PLEASE TICK INLET ORIENTATION (REFER DETAIL 'O' ORIENTATION)
 O1 O2 O3
- 5 MANHOLE DIAMETER _____
- 6 DISTANCE FROM INLET TO PLATFORM EDGE (E) _____ mm
- 7 PLATFORM WIDTH (F) _____ mm
- 8 TOP OF PLATFORM TO ROOF DISTANCE (G) _____ mm
- 9a NUMBER OF LOADING ARM PER BAY / PLATFORM _____
- 9b CENTERLINE DISTANCE BETWEEN INLET CONNECTION (IF LOADING ARM IS MORE THAN ONE) (H) _____ mm
- 10 LENGTH OF PLATFORM (I) _____ mm
- 11a NUMBER OF TANKER CONNECTION _____
- 11b CENTER DISTANCE BETWEEN TANKER CONNECTIONS (IF TANKER CONNECTION IS MORE THAN ONE) (J) _____ mm

SPECIFICATIONS FOR TANKER CONNECTION

CONNECTION IF, FLANGED SPECIFY NPS SIZE _____ CLASS _____

PLEASE SPECIFY (IF OTHER) _____

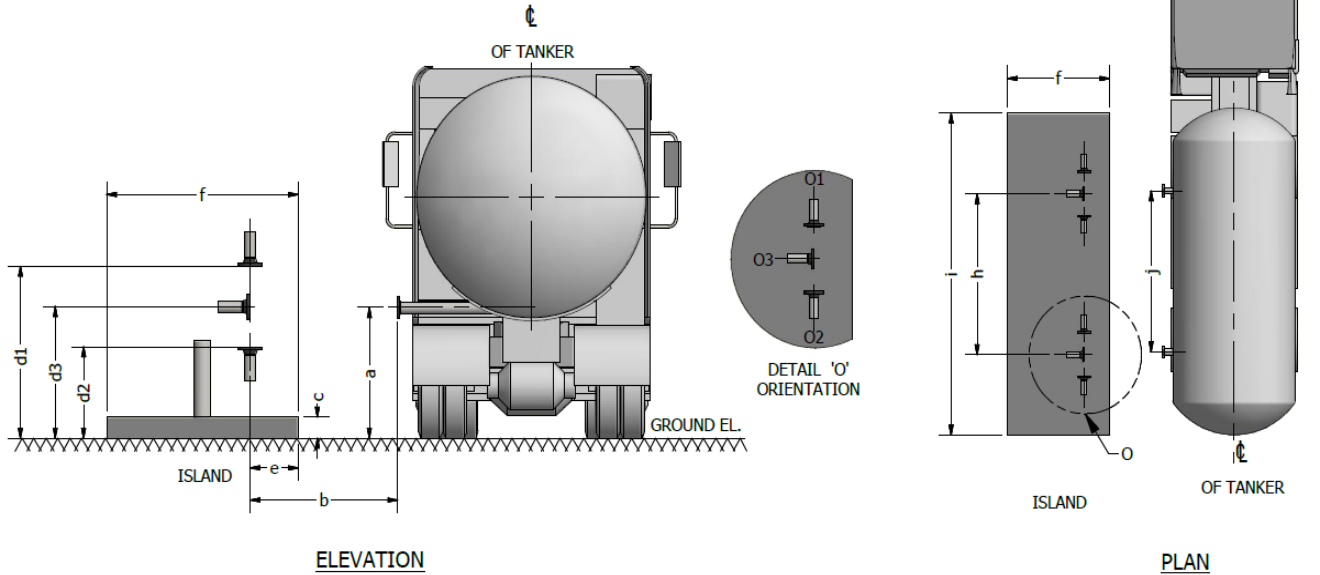
DROP ARM END SPOUT 45 ° DEFLECTOR VAPOUR CONE HATCH VAPOUR PLATE

PLEASE SPECIFY (IF OTHER) _____

REMARKS & SPECIAL COMMENTS

Safe Hands

BOTTOM LOADING / UNLOADING ARM



DIMENSIONS FOR ISLAND

- 1 SIDE FILLING REAR END FILLING
- 2 HEIGHT OF TANKER INLET ABOVE GROUND (a) _____ mm
- 3 CENTERLINE DISTANCE BETWEEN TANKER CONNECTION & INLET (b) _____ mm
- 4 ISLAND ELEVATION (c) _____ mm
- 5 INLET ELEVATION (d) (TICK WHICHEVER IS APPLICABLE)
 d1 (TOP FEED) _____ mm
 d2 (BOTTOM FEED) _____ mm
 d3 (SIDE FEED) _____ mm
 IF, SIDE FEED IS APPLICABLE PLEASE TICK INLET ORIENTATION (REFER DETAIL 'O' ORIENTATION)
 O1 O2 O3
- 6 DISTANCE FROM INLET TO ISLAND EDGE (e) _____ mm
- 7 ISLAND WIDTH (f) _____ mm
- 8a NUMBER OF LOADING ARM PER BAY / ISLAND _____
- 8b CENTERLINE DISTANCE BETWEEN INLET CONNECTION (IF LOADING ARM IS MORE THAN ONE) (h) _____ mm
- 9 LENGTH OF ISLAND (i) _____ mm
- 10a NUMBER OF TANKER CONNECTION _____
- 10b CENTER DISTANCE BETWEEN TANKER CONNECTIONS (IF TANKER CONNECTION IS MORE THAN ONE) (j) _____ mm

SPECIFICATIONS FOR TANKER CONNECTION

CONNECTION IF, FLANGED SPECIFY NPS SIZE _____ CLASS _____

PLEASE SPECIFY (IF OTHER) _____

COUPLING TYPE _____ SIZE _____ mm

REMARKS & SPECIAL COMMENTS

REMARKS & SPECIAL COMMENTS